



View/Convert

MCAD VISUALIZATION & TRANSLATION SOFTWARE

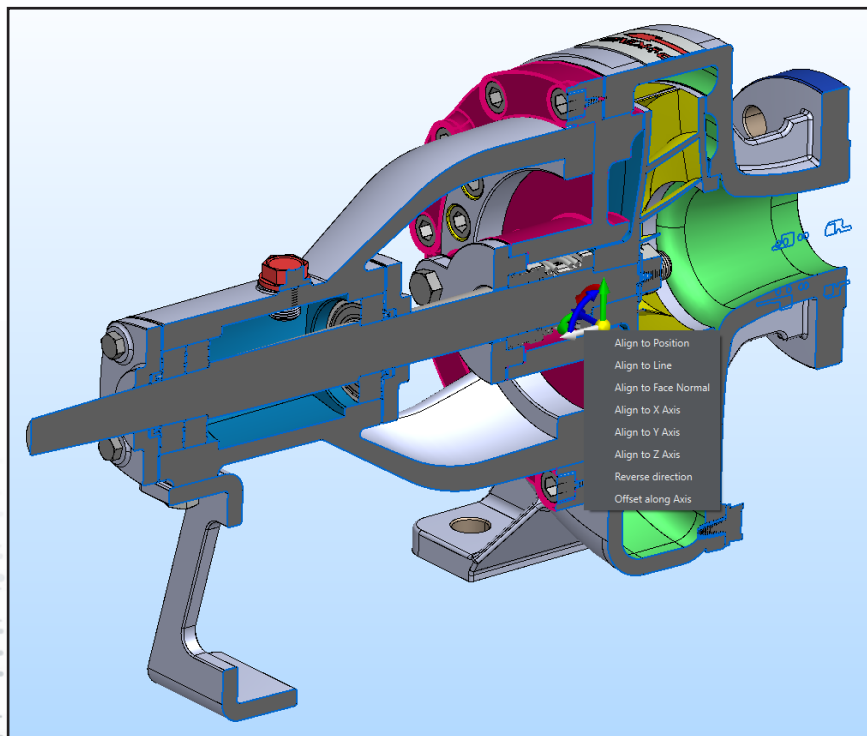
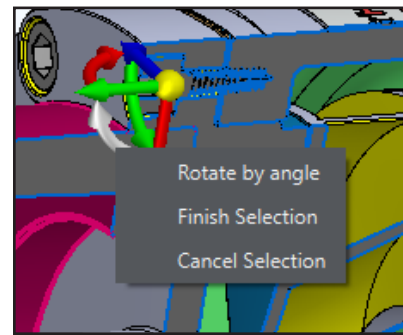
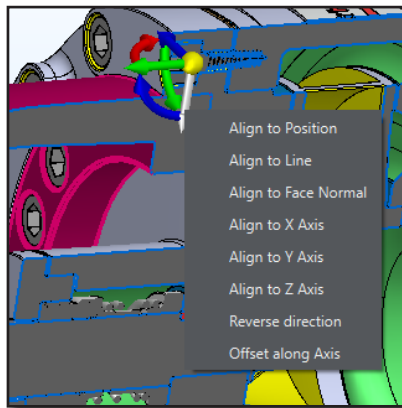
What's New in VIEW/CONVERT 7.0

Cutting Plane Enhancement	2
Updated Read & Write Formats	3

Cutting Plane Enhancement

The Cutting Plane's DynaHandle has enhanced features

- Align and Offset capabilities have been added
- Cutting Plane Rotation can be entered numerically; axis can be rotated either direction
- Greater overall flexibility when using tool



Updated Read & Write Formats

New Read Format:

- Autodesk Fusion 360
- QIF MBD

Updated Read Formats:

- Autodesk Inventor 2025
- Dassault Systemes (DS) CATIA V6 / 3DEXPERIENCE R2025x *
- DS Spatial ACIS 2024
- DS SolidWorks 2025 *
- PTC Creo 11.0
- SDIS Parasolid V37
- SDIS Solid Edge 2025 *
- Siemens Digital Industries Software (SDIS) NX 2406.4000 *

*** 2D & 3D Read for View, 3D Read for Convert**

Updated Write Format in Convert:

- Export of hidden entities has been added to the export function



Kubotek Kosmos

2 Mount Royal Ave. Suite 500, Marlborough, MA 01752

Phone: 800-372-3872

www.KubotekKosmos.com

interest@KubotekKosmos.com