



View/Convert

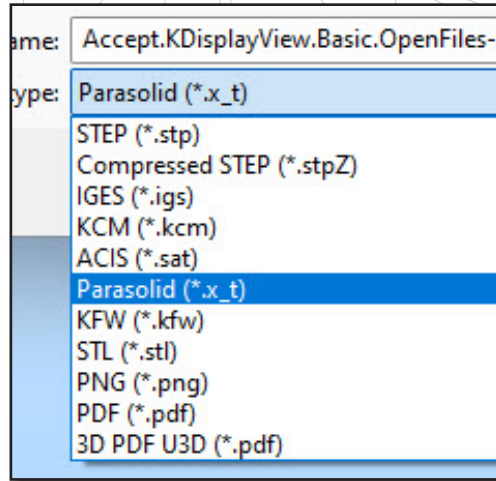
MCAD VISUALIZATION & TRANSLATION SOFTWARE

What's New in VIEW/CONVERT 5.0

Export Parasolid Format	2
Semantic PMI/MBD Enhancement	2
New BOM Function	3
Updated Reader Formats	4

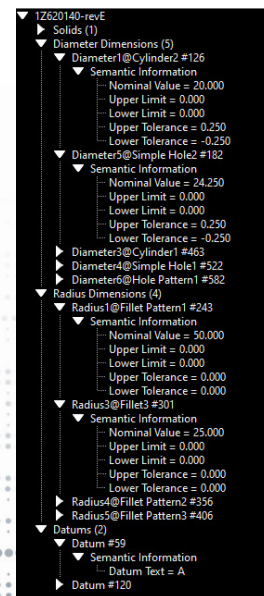
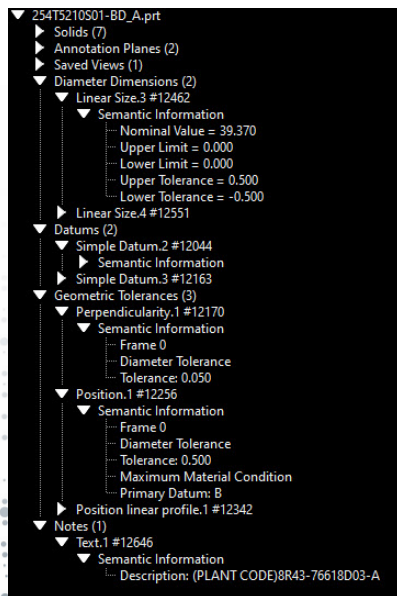
Export Parasolid Format

New Export to Parasolid format added to Convert.
Any imported format can now be saved as Parasolid format.



Semantic PMI/MBD Enhancement

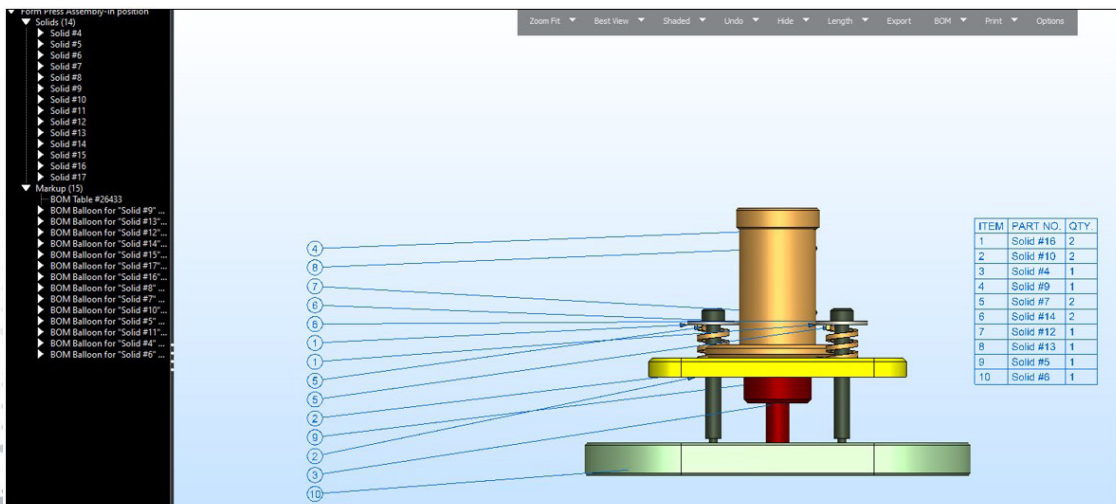
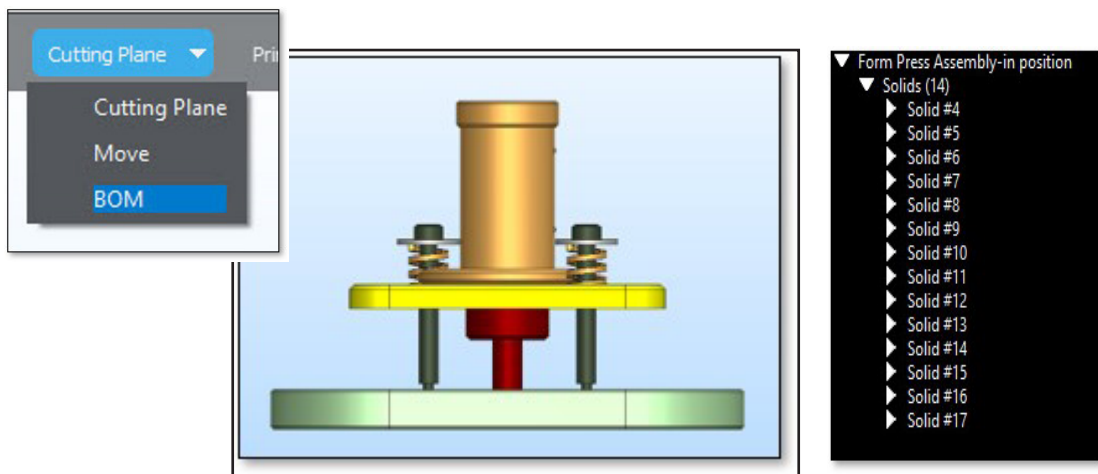
Additional semantic information is displayed directly in the part tree. This gives users direct access to any metadata in the part file.



New BOM Function

The new BOM function helps users quickly discover the organization of model data. Users can easily create a BOM table and balloons from a flat file or assembly:

- BOM table has list and count of solids/part references in the file
- Balloons are automatically created pointing to the solids/part references in the file
- When the file is not an assembly (flat file), the algorithm automatically discovers duplicate geometry



Updated Reader Formats

Updated Reader Formats include:

- Autodesk Inventor 2023
- Dassault Systemes (DS) CATIA V5 R2022 *
- DS V6/3DEXperience R2023x *
- DS SolidWorks 2023 *
- DS Spatial ACIS 2023
- PTC Creo 9.0 *
- Siemens Digital Industries Software (SDIS) NX 2206 *
- SDIS Solid Edge 2023 *
- SDIS Parasolid V35

** 2D & 3D Read for View, 3D Read for Convert*