



Revision

ENGINEERING CHANGE REPORT SOFTWARE

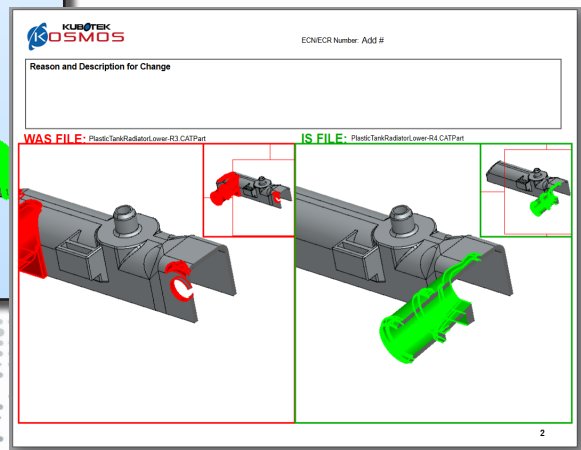
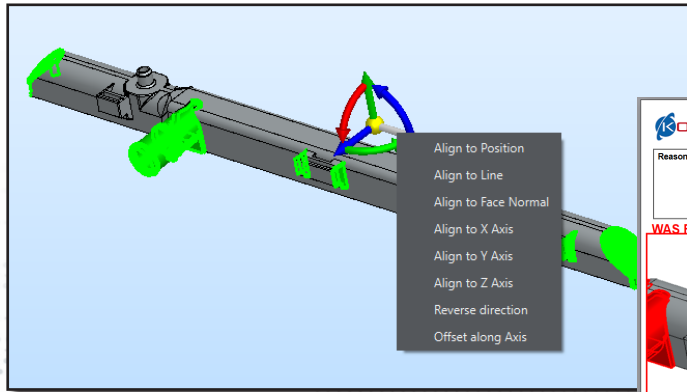
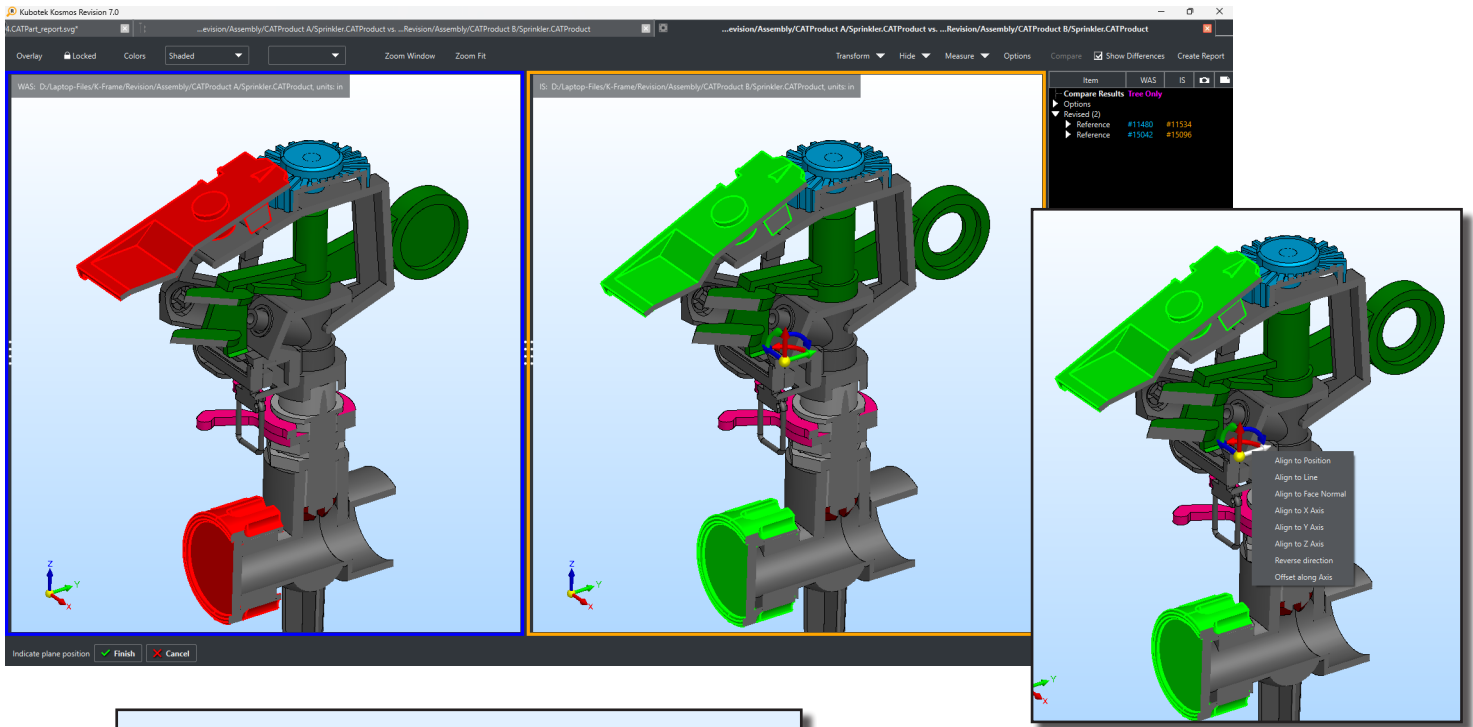
What's New in Revision 7.0

New Cutting Plane Function	2
Results Tree Organization Enhancement	3
Part Tree Enhancement	4
Enhanced Reader Support	5
Updated Reader Formats	5

New Cutting Plane Function

Cutting Plane function gives users the ability show the interior of parts, to better analyze & document changes

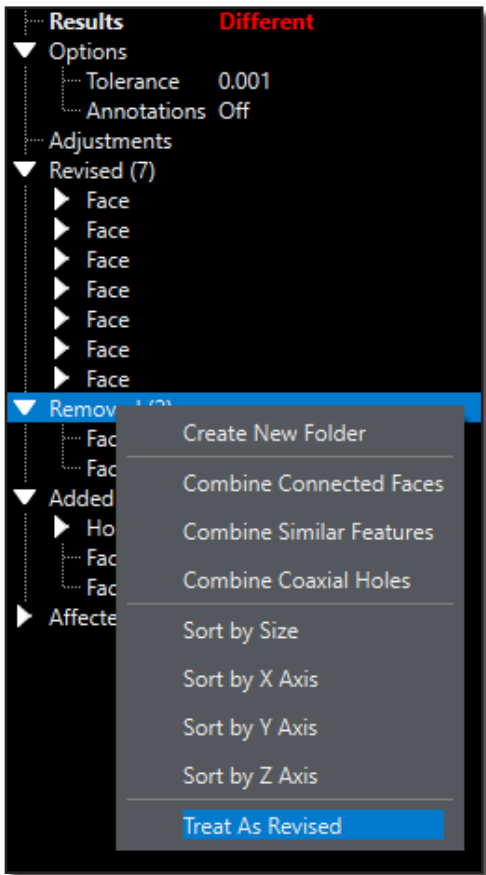
- Works on single part compare or assembly compare
- Cutting Planes can be used to document changes in the report
- Gives users greater ability to position model to clearly document changes



Results Tree Organization Enhancement

Treat As Revised function gives users greater flexibility to organize results

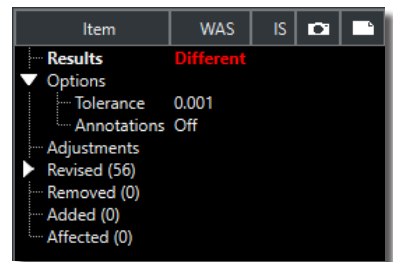
- Easy to use drag and drop capability
- Applies to all folders: Removed, Added, and Affected



BEFORE



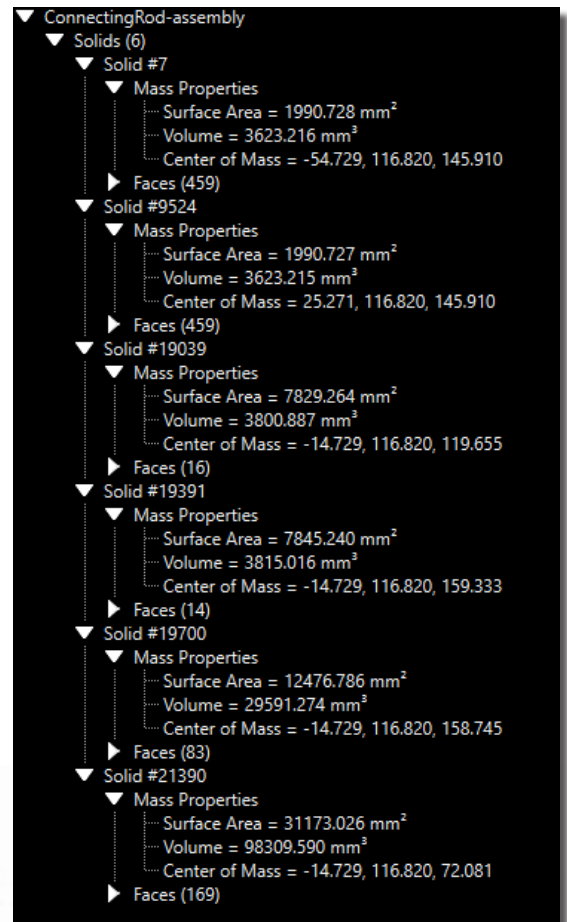
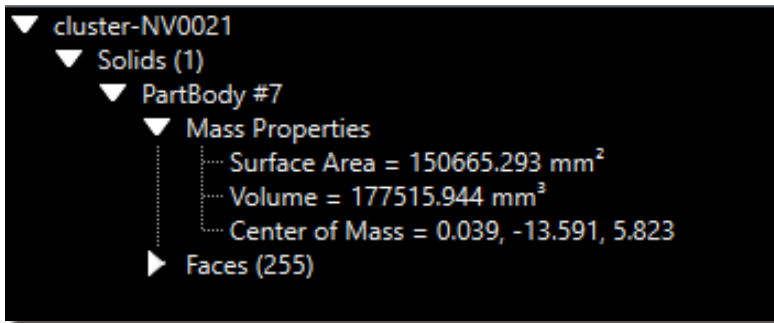
AFTER



Part Tree Enhancement

Solid/Body Mass Properties directly in the Part Tree

- Easy to view and use at any point in the compare
- Available for Authority or Derivative files
- Mass Properties listed:
 - Surface Area
 - Volume
 - Center of Mass



Enhanced Reader Support

KeyCreator 2025

- Reads wires/3d wireframe data

Updated Reader Formats

Updated Read Formats:

- Autodesk Inventor 2025
- Dassault Systemes (DS) CATIA V6 / 3DEXPERIENCE R2025x
- DS Spatial ACIS 2024
- DS SolidWorks 2025
- Kubotek Kosmos KeyCreator 2025
- PTC Creo 11.0
- SDIS Parasolid V37
- SDIS Solid Edge 2025
- Siemens Digital Industries Software (SDIS) NX 2406.4000



Kubotek Kosmos

2 Mount Royal Ave. Suite 500, Marlborough, MA 01752

Phone: 800-372-3872

www.KubotekKosmos.com

interest@KubotekKosmos.com